

KUKA



**The new palletizers for
high-speed tasks**

**KR 300 PA,
KR 470 PA**

»KR 300 PA AND KR 470 PA: FAST MOVERS IN THE HIGH PAYLOAD CATEGORY

Higher, faster, further: KUKA makes things easy for you – with the most extensive range of palletizing robots in the world. A total of eleven models are available for your palletizing, order picking and handling tasks: with payloads from 40 to 1,300 kg and reaches from 1,991 to 3,600 mm. This unique comprehensiveness gives you the flexibility to use the robot that is perfectly dimensioned for your requirements.

For individual models, various options are available: different arm extensions and the use of H1 oil approved for applications in the food industry. You can also decisively expand the work envelope of any model by mounting it on a KUKA linear unit. A further decisive factor: you benefit from top quality and shorter cycle times. **The advantages: a high degree of planning reliability and security of investment.**

»EXTREMELY LIGHT – EXTREMELY FAST

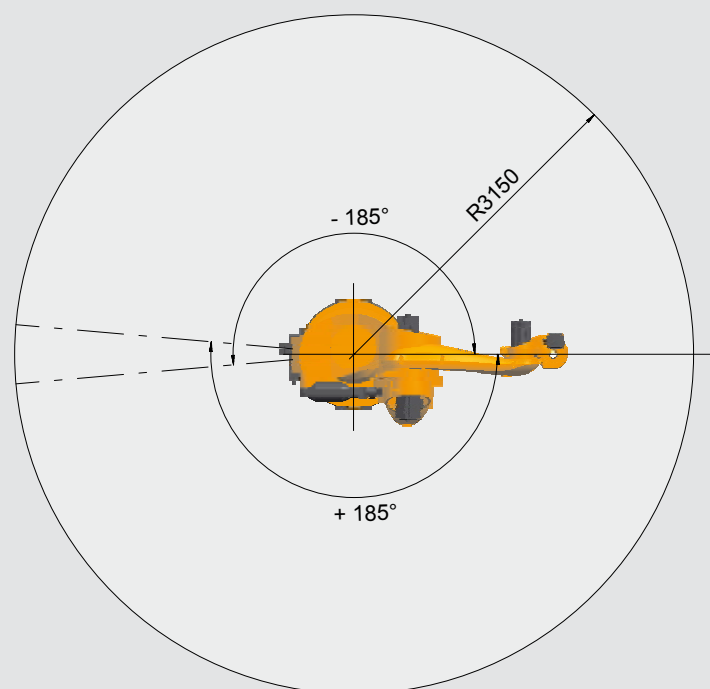
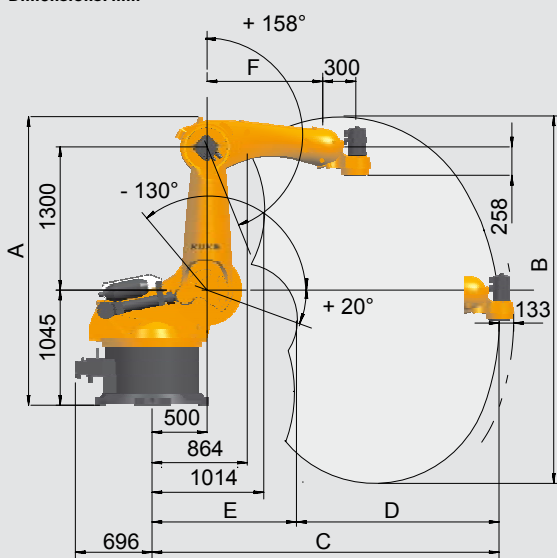
Increase your palletizing output: thanks to their compact design, 5-axis kinematic system and low weight, the new KUKA palletizing robots KR 300 PA and KR 470 PA are ideally suited to high-speed tasks in the high payload category. As a result, you benefit from shorter cycle times and substantially increased throughput. **The advantages: shorter cycle times and greater productivity.**

»EXTREMELY LONG-RANGE – EXTREMELY FLEXIBLE

Extend your radius of action – it's easy with the models KR 300 PA and KR 470 PA: both palletizing robots have a maximum reach of 3,150 mm and can be installed either on a pedestal or directly on the floor. This allows the robot's reach to be perfectly tailored to the specific application and flexibly adapted to new tasks. **The advantages: utmost flexibility and maximum scope.**

»TECHNICAL DETAILS KR 300 PA AND KR 470 PA

Dimensions: mm



Work envelope	Dimensions ¹⁾						Volume
	A	B	C	D	E	F	
KR 300 PA	2,620 mm	3,336 mm	3,150 mm	1,839 mm	1,311 mm	1,050 mm	73.5 m ³
KR 470 PA	2,620 mm	3,336 mm	3,150 mm	1,839 mm	1,311 mm	1,050 mm	73.5 m ³

¹⁾ Relative to intersection of axes 4/5

» **EXTREMELY PROTECTED – EXTREMELY FUTURE-PROOF**

An absolute highlight of the KR 300 PA and KR 470 PA is the hollow-wrist design with an extra-large opening, which allows the energy supply to be routed in the protected interior. The use of optimized and service-proven KUKA standard components also makes these robots future-proof, reliable and low on maintenance. The result is an availability of 99.8 percent. **The advantages: constant performance and high availability.**

» **EXTREMELY SIMPLE – EXTREMELY VERSATILE**

KUKA has the right software package for your palletizing tasks: for example, KUKA.Pallet Pro for planning and controlling cells, or KUKA.GripperTech for simple gripper programming. For offline simulations and cycle time optimization we offer the program KUKA.Sim. Programming is also made easy by the intuitive user interface and clear visualization. **The advantages: maximum ease of operation and rapid commissioning.**

Type	KR 300 PA	KR 470 PA
Maximum reach	3,150 mm	3,150 mm
Rated payload	300 kg	470 kg
Suppl. load, arm/link arm/rotating col.	50/-/- kg	
Suppl. load, arm + link arm, max.	50 kg	
Maximum total load	350 kg	520 kg
Number of axes	5	
Mounting position	Floor	
Variant		
Positioning repeatability*	±0.15 mm	
Path repeatability*		
Controller	KR C2 edition2005	
Weight (excluding controller), approx.	2,330 kg	2,331 kg
Temperature during operation	+10 °C to +55 °C	
Protection classification	IP 65	
Robot footprint	1,240 mm x 1,240 mm	
Connection	13.5 kVA	
Noise level	< 75 dB	

Drive system, electromechanical with brushless AC servomotors

Cycle: 400/2,000/400 mm

*to ISO 9283

Axis data	Range (software)	Speed with rated payload	
		300 kg	470 kg
Axis 1 (A1)	±185°	75°/s	75°/s
Axis 2 (A2)	-130°/+20°	90°/s	90°/s
Axis 3 (A3)	0°/+158°	93°/s	70°/s
Axis 4 (A4)	-	-	-
Axis 5 (A5)	±350°	177°/s	177°/s

Details provided about the properties and usability of the products are purely for information purposes and do not constitute a guarantee of these characteristics. The extent of goods delivered and services performed is determined by the subject matter of the specific contract. No liability accepted for errors or omissions.



»THE KUKA ROBOT GROUP: YOUR STRONG PARTNER

Quality made in Germany, creativity and the utmost commitment to customers and business partners: these form the basis on which KUKA develops the best possible technologies and thus the optimal automation concepts. The result is that you receive custom-tailored solutions and benefit from decisive process optimization.

Genuine passion for the fascination of robotics is reflected in our slogan “KUKA YOUR IDEAS”, which is also our promise to you: Whatever you want to do, and however unusual your idea may be, with us you can implement anything – irrespective of the specific branch of industry and irrespective of whether or not a similar application has existed before.

Whatever task you give us, KUKA has the required specialists. In close cooperation with experienced system partners with competence in their respective industries, we do everything in our power to implement your ideas. Let us work on them together.

»KUKA SERVICES: ALWAYS THERE FOR YOU

You can rely on us to stand by you in every phase of a project: from planning and commissioning to maintenance and conversion. 24 hours a day. 365 days a year. The high-density KUKA service network ensures that we are always in your vicinity and can start your production in record time.

KUKA YOUR IDEAS

KUKA ROBOTER GMBH

Global Sales Center
Hery-Park 3000
86368 Gersthofen
Germany
Tel. +49 821 4533-0
Fax +49 821 4533-1616
info@kuka-roboter.de

Additional contact addresses:
www.kuka-robotics.com