

KUKA



**comp series:
The compact robots
for every application**

**comp series
KR 100-3 comp**

»THE COMP SERIES: UNIQUE IN THE HIGH PAYLOAD CATEGORY

Compact, extremely fast and with a unique combination of payload and reach: these attributes make KUKA comp series robots the obvious choice for a wide range of applications – e.g. handling or spot welding. The wide-ranging product spectrum, with payload capacities from 100 to 220 kg and reaches of 2,400 to 2,800 mm, ensures that there is a suitable model for every requirement.

The comp series is a further development of the successful KR 125 robot series. With their compact design and high dynamic performance, the comp robots are specifically adapted to versatile handling tasks. The result is a price/performance ratio that sets new standards for the market. **The advantages: high degree of planning reliability and security of investment.**

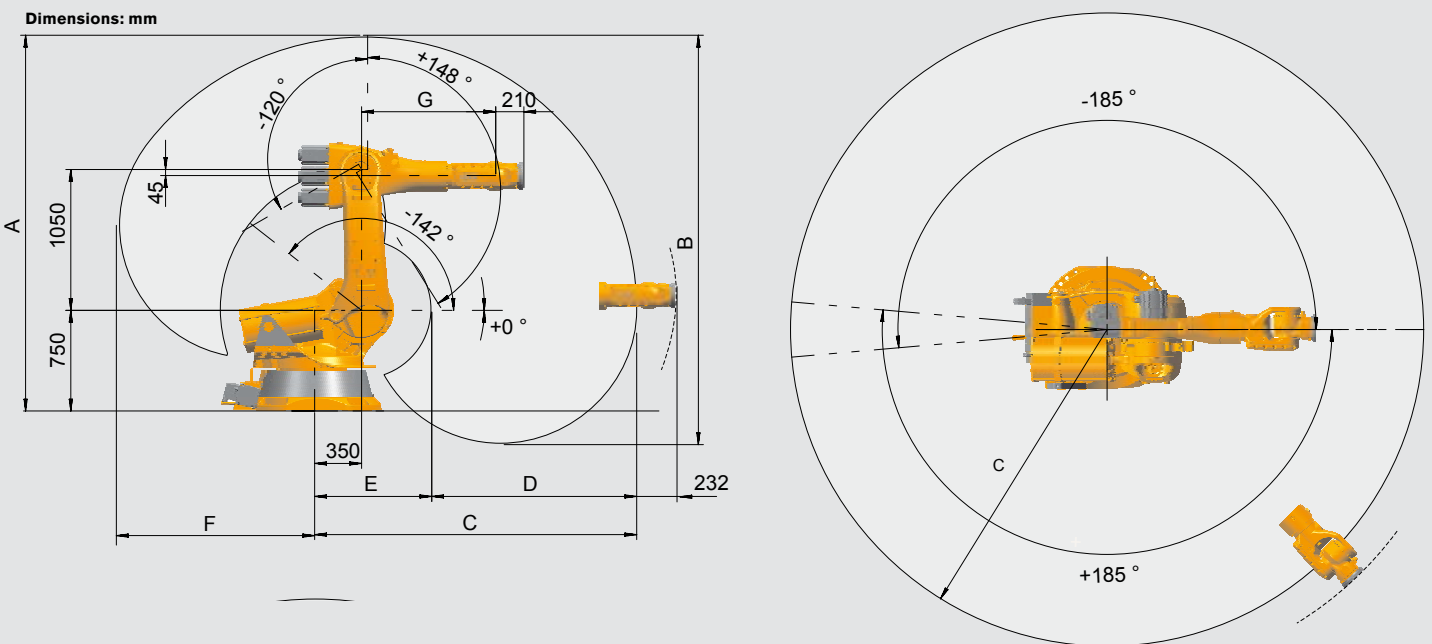
»EXTREMELY COMPACT - EXTREMELY FAST

Boost your production output – this is easy with the comp series: the combination of compact design, short link lengths and high installed motor power gives these robots a very high dynamic performance and thus significantly greater production capacity. **The advantages: short cycle times and greater productivity.**

»EXTREMELY RELIABLE - EXTREMELY PRECISE

Utmost precision gives optimal production results: the closed link arm, short arm and strong wrist of the comp robots ensure high stiffness, even in the case of applications with high process forces. Furthermore, the performance-optimized path planning ensures maximum accuracy. **The advantages: optimum process results and fewer rejects.**

»TECHNICAL DETAILS KR 100-3 comp



Work envelope	Dimensions ¹⁾							Volume
	A	B	C	D	E	F	G	
KR 100-3 comp	2,800 mm	3,052 mm	2,400 mm	1,528 mm	872 mm	1,455 mm	1,000 mm	38.6 m ³

¹⁾ Relative to intersection of axes 4/5

»EXTREMELY STREAMLINED – EXTREMELY SPACE-OPTIMIZED

The robots in the comp series are ideally suited to space-saving and cost-saving system concepts, as they adapt perfectly to their surroundings. Even when things get tight: the streamlined design, with minimized disruptive contours and removable fork lift slots, ensures very good reachability of the workpieces, even in narrow cells or confined spaces. **The advantages: reduced space requirements and improved accessibility.**



Highest dynamic performance in the smallest possible space: a comp series robot handling barrels.

»EXTREMELY SIMPLE – EXTREMELY VERSATILE

The simpler your robot is to program, the quicker you can get going. KUKA supports you with a wide range of products and services: from expandable system software and ready-made application software to simulation programs for designing systems. Programming is made easy with the familiar Windows look, intuitive user interface and clear visualization. **The advantages: maximum ease of operation and rapid commissioning.**



Maximum precision during spot welding ensures optimal production results.

Type	KR 100-3 comp
Maximum reach	2,400 mm
Rated payload	100 kg
Suppl. load, arm/link arm/rotating col.	50/100/300 kg
Suppl. load, arm + link arm, max.	100 kg
Maximum total load	500 kg
Number of axes	6
Mounting position	Floor
Variant	-
Positioning repeatability*	±0.15 mm
Path repeatability*	
Controller	KR C2 edition2005
Weight (excluding controller), approx.	1,155 kg
Temperature during operation	+10 °C to +55 °C
Protection classification	IP 65
Robot footprint	1,015 mm x 1,020 mm
Connection	4 to 8 kVA
Noise level	< 75 dB

Axis data	Range (software)	Speed with rated payload
		100 kg
Axis 1 (A1)	±185°	107°/s
Axis 2 (A2)	+0°/-142°	108°/s
Axis 3 (A3)	+148°/-120°	115°/s
Axis 4 (A4)	±350°	173°/s
Axis 5 (A5)	±120°	186°/s
Axis 6 (A6)	±350°	265°/s

The comp series includes the models KR 100-3 comp, KR 140-3 comp, KR 200-3 comp and KR 220-3 comp.

Drive system, electromechanical with brushless AC servomotors

*to ISO 9283

Details provided about the properties and usability of the products are purely for information purposes and do not constitute a guarantee of these characteristics. The extent of goods delivered and services performed is determined by the subject matter of the specific contract. No liability accepted for errors or omissions.



»THE KUKA ROBOT GROUP: YOUR STRONG PARTNER

Quality made in Germany, creativity and the utmost commitment to customers and business partners: these form the basis on which KUKA develops the best possible technologies and thus the optimal automation concepts. The result is that you receive custom-tailored solutions and benefit from decisive process optimization.

Genuine passion for the fascination of robotics is reflected in our slogan “KUKA YOUR IDEAS”, which is also our promise to you: Whatever you want to do, and however unusual your idea may be, with us you can implement anything – irrespective of the specific branch of industry and irrespective of whether or not a similar application has existed before.

Whatever task you give us, KUKA has the required specialists. In close cooperation with experienced system partners with competence in their respective industries, we do everything in our power to implement your ideas. Let us work on them together.

»KUKA SERVICES: ALWAYS THERE FOR YOU

You can rely on us to stand by you in every phase of a project: from planning and commissioning to maintenance and conversion. 24 hours a day. 365 days a year. The high-density KUKA service network ensures that we are always in your vicinity and can start your production in record time.

KUKA YOUR IDEAS

KUKA ROBOTER GMBH

Global Sales Center
Hery-Park 3000
86368 Gersthofen
Germany
Tel. +49 821 4533-0
Fax +49 821 4533-1616
info@kuka-roboter.de

Additional contact addresses:
www.kuka-robotics.com