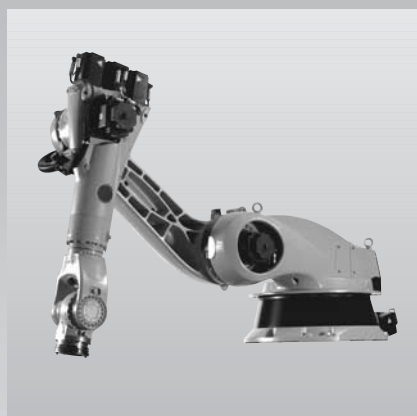
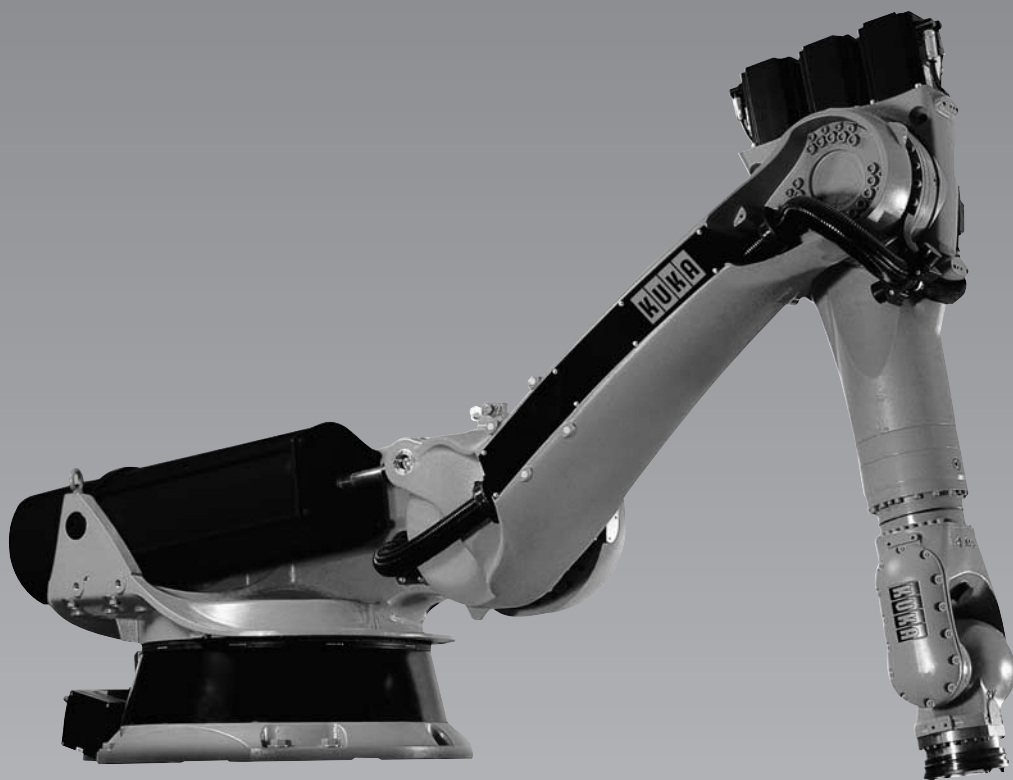


Technical Data



**KR 180K – KR 180 L150K – KR 180 L130K
(Serie 2000)**

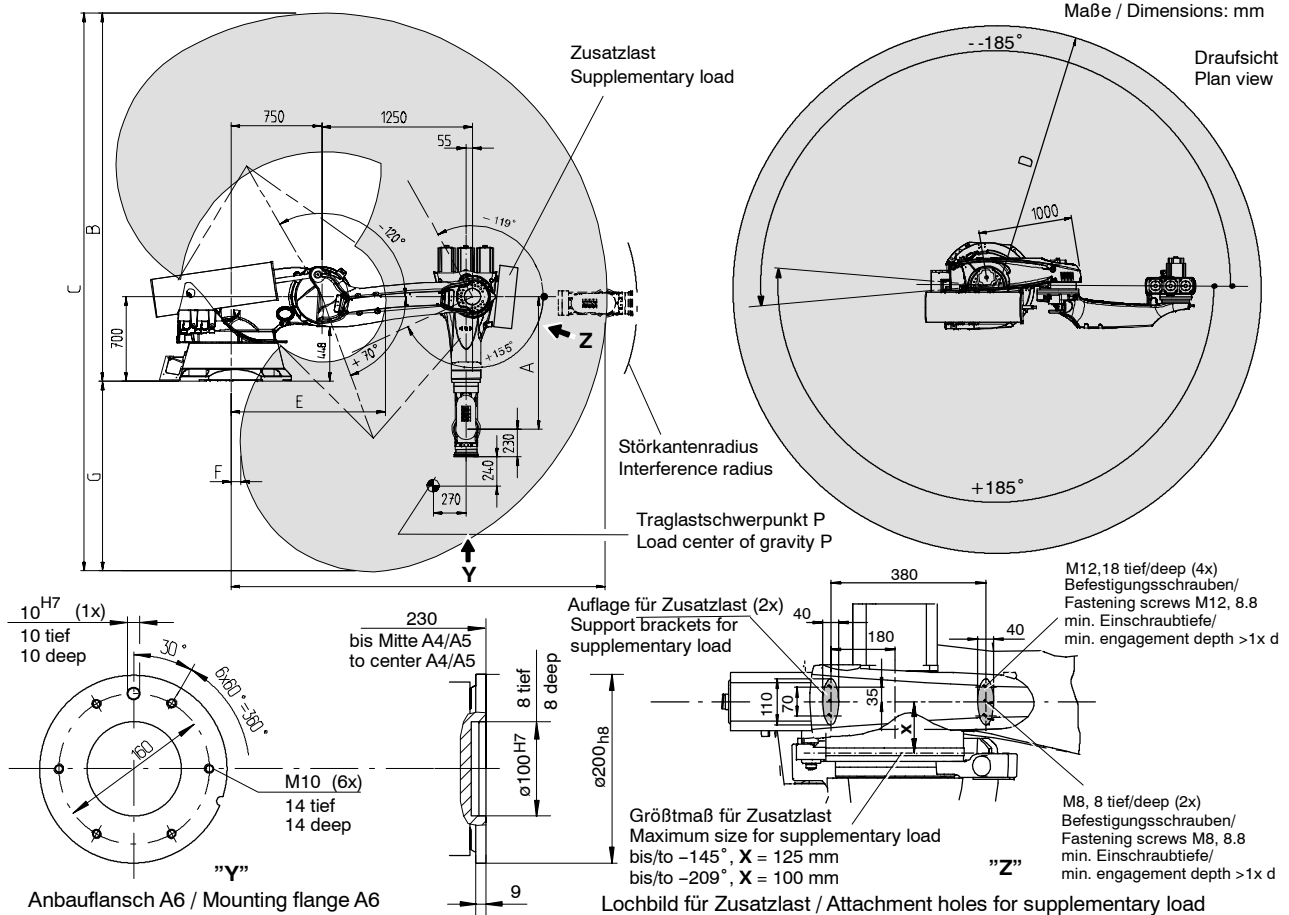


KUKA

WORKING IDEAS

KR 180 K, KR 180 L150 K, KR 180 L130 K, KR 180 L100 K

Maße / Dimensions: mm



| Typ / Type: | KR 180 K | KR 180 L150 K | KR 180 L130 K | KR 180 L100 K | | | | |
|---|--|---------------|---------------|---------------|---------|--------|----------------|--------------------|
| Traglast / Payload: | 180 kg | 150 kg | 130 kg | 100 kg | | | | |
| Zusatzlast Arm/Schwinge/Karussell / Supplementary load on arm/link arm/rotating column: | 50/100/300 kg | | | | | | | |
| Zusatzlast max. Arm und Schwinge / Max. supplementary load on arm and link arm: | 100 kg | | | | | | | |
| Max. Gesamtlast / Total distributed load: | 580 kg | 550 kg | 530 kg | 500 kg | | | | |
| Anzahl der Achsen / Number of axes: | 6 | | | | | | | |
| Handvariante / Wrist variant: | Zentralhand 150/180 kg / In-line wrist 150/180 kg | | | | | | | |
| Handvariante / Wrist variant: | F (foundry), ≤ 180 °C (10 s/min) | | | | | | | |
| Anbaufansch A6 / Mounting flange A6: | DIN ISO 9409-1-A160 | | | | | | | |
| Einbaulage / Mounting position: | Boden, Konsole / Floor, shelf-mounted | | | | | | | |
| Wiederholgenauigkeit / Repeatability: | ± 0,2 mm | | | | | | | |
| Steuerung / Controller: | KR C2 | | | | | | | |
| Gewicht (ohne Steuerung) ca. / Weight (excl. controller) approx.: | 1480 kg | 1490 kg | 1500 kg | 1510 kg | | | | |
| Achsdaten / Axis data: | Geschwindigkeit bei Nenntaglast / Speed with rated payload | | | | | | | |
| | Bereich (Software) Range (software) | 180 kg | 150 kg | 130 kg | 100 kg | | | |
| Achse / Axis 1 (A1) | ± 185° | 92 °/s | 90 °/s | 90 °/s | 67 °/s | | | |
| Achse / Axis 2 (A2) | + 70° / -120° | 86 °/s | 85 °/s | 82 °/s | 62 °/s | | | |
| Achse / Axis 3 (A3) | + 155° / -119° | 82 °/s | 80 °/s | 77 °/s | 58 °/s | | | |
| Achse / Axis 4 (A4) | ± 350° | 162 °/s | 169 °/s | 171 °/s | 171 °/s | | | |
| Achse / Axis 5 (A5) | ± 125° | 162 °/s | 169 °/s | 171 °/s | 171 °/s | | | |
| Achse / Axis 6 (A6) | ± 350° | 230 °/s | 235 °/s | 238 °/s | 238 °/s | | | |
| Arbeitsraum / Work envelope | Maße / Dimensions ¹⁾ | | | | | | Volumen Volume | |
| | A | B | C | D | E | F | G | |
| KR 180 K | 1100 | 3050 | 4625 | 3100 | 1225 | 77,5 | 1575 | 97 m ³ |
| KR 180 L150 K | 1300 | 3250 | 5025 | 3300 | 1250 | -122,5 | 1775 | 120 m ³ |
| KR 180 L130 K | 1500 | 3450 | 5425 | 3500 | 1350 | -322,5 | 1975 | 145 m ³ |
| KR 180 L100 K | 1700 | 3650 | 5825 | 3700 | 1488 | -523 | 2175 | 173 m ³ |

1) Bezogen auf Schnittpunkt Achse 4/5. / Referred to intersection of axes 4 and 5.

- Antriebssystem elektro-mech. mit burstenlosen AC-Servomotoren. / Drive system electromechanical, with brushless AC servomotors.
- Wegmeßsystem digital-absolut. / Position sensing system digital-absolute.

Angaben über die Beschaffenheit und Verwendbarkeit der Produkte stellen keine Zusicherungen der Eigenschaften dar, sondern dienen lediglich Informationszwecken. Maßgeblich für den Umfang unserer Lieferungen und Leistungen ist der jeweilige Vertragsgegenstand. / Specifications regarding the quality and usability of the products do not constitute a warranty of properties. They are intended to serve informative purposes only. Solely the respective contract of sale shall be binding in respect of the extent of our supplies and services.