

KR QUANTEC nano

KR 120 R1800 nano



KR 120 R1800 nano

Max. reach	1,803 mm
Rated payload	120 kg
Rated suppl. load, arm/link arm/rot. column	50 kg/-/-
Maximum rated payload	170 kg
Pose repeatability	±0.06 mm
Number of axes	6
Mounting position	Floor, ceiling
Variant	-
Robot footprint	901 mm x 610 mm
Weight (excluding controller), approx.	684 kg

Axis data/

Range of motion	Speed with rated payload 120 kg
-----------------	---------------------------------

Axis 1 (A1)	+/-180°	123°/s
Axis 2 (A2)	+45°/-145°	114°/s
Axis 3 (A3)	+150°/-130°	86°/s
Axis 4 (A4)	+/-350°	179°/s
Axis 5 (A5)	+/-125°	172°/s
Axis 6 (A6)	+/-350°	220°/s

Operating conditions

Ambient temperature, robot +10 °C to +55 °C

Protection rating

Protection rating, robot IP 65
 Protection rating, in-line wrist IP 65

Work envelope¹⁾

Dimensions A	Dimensions B	Dimensions C
--------------	--------------	--------------

KR 120 R1800 nano 2,053 mm 2,881 mm 1,803 mm

Dimensions D	Dimensions E	Dimensions F	Dimensions G	Volume
--------------	--------------	--------------	--------------	--------

585 mm 1,164 mm 780 mm 770 mm 20.6 m³



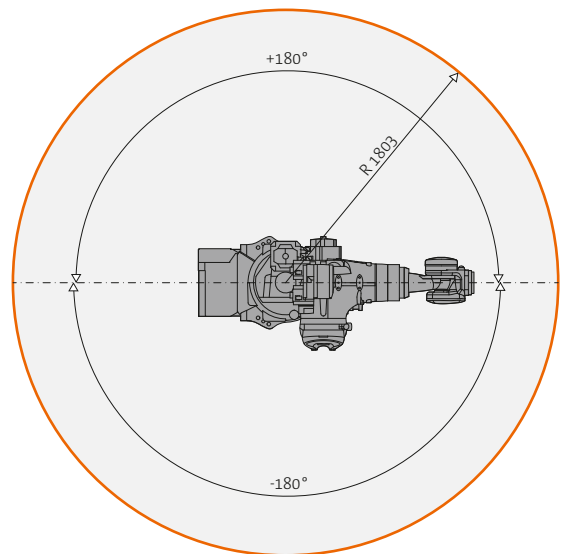
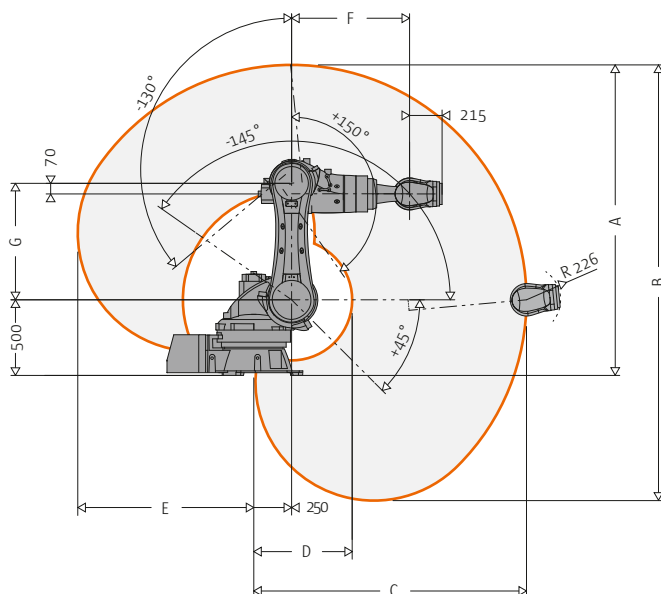
Controller

KR C4



Teach pendant

KUKA smartPAD



KUKA Roboter GmbH

Hery Park 3000, 86368 Gersthofen, Germany, Phone: +49 821 4533-0, www.kuka-robotics.com

Details provided about the properties and usability of the products are purely for information purposes and do not constitute a guarantee of these characteristics. The extent of goods delivered and services performed is determined by the subject matter of the specific contract. No liability accepted for errors or omissions.

¹⁾ Relative to intersection of axes 4/5

