

KR 3 R540



Technical data

Maximum reach	541 mm
Maximum payload	3 kg
Pose repeatability (ISO 9283)	± 0.02 mm
Number of axes	6
Mounting position	Floor; Ceiling; Wall
Footprint	179 mm x 179 mm
Weight	approx. 26.5 kg

Axis data

Motion range	
A1	±170 °
A2	-170 ° / 50 °
A3	-110 ° / 155 °
A4	±175 °
A5	±120 °
A6	±350 °

Operating conditions

Ambient temperature during operation	5 °C to 45 °C (278 K to 318 K)
--------------------------------------	--------------------------------

Protection rating

Protection rating	IP40
Protection rating, in-line wrist	IP40



Controller

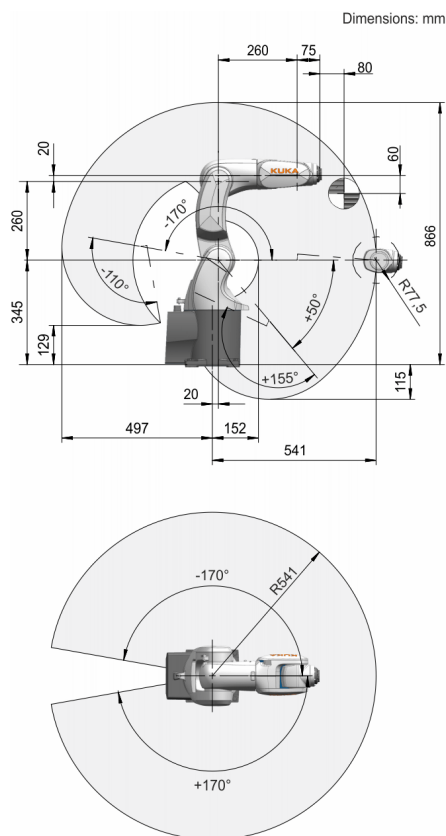
Controller	KR C4 compact
------------	---------------



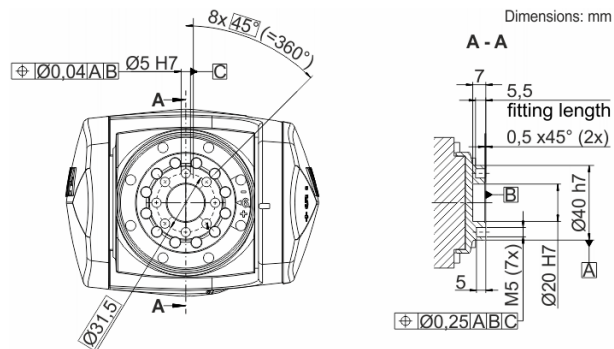
Teach pendant

Teach pendant	KUKA smartPAD
---------------	---------------

Workspace graphic

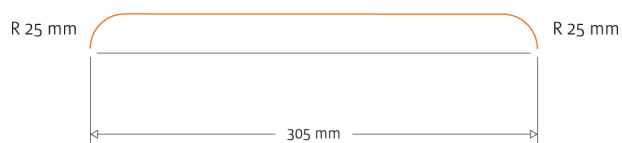


Mounting flange



Cycle time

167 cycles per minute (25 mm / 305 mm / 25 mm, 1 kg)



KUKA Roboter GmbH
Zugspitzstrasse 140, 86165 Augsburg, Germany. Tel.: +49 821 797-4000, www.kuka-robotics.com

Details provided about the properties and usability of the products are purely for information purposes and do not constitute a guarantee of these characteristics. The extent of goods delivered and services performed is determined by the subject matter of the specific contract. No liability accepted for errors or omissions.

0000-270-971 / V7.1 / 19.12.2016 / en

KUKA