

# KR 420 R3330 F



## Technical data

|  |                     |
|--|---------------------|
| Maximum reach  | 3326 mm             |
| Rated payload  | 420 kg              |
| Rated supplementary load, rotating column / link arm / arm | 0 kg / 0 kg / 50 kg |
| Rated total load   | 470 kg              |
| Pose repeatability (ISO 9283)                              | ± 0.08 mm           |
| Number of axes   | 6                   |
| Mounting position  | Floor               |
| Footprint  | 1050 mm x 1050 mm   |
| Weight   | approx. 2686 kg     |

## Axis data

|                          |                |
|--------------------------|----------------|
| Motion range             |                |
| A1                       | ±185 °         |
| A2                       | -130 ° / 20 °  |
| A3                       | -100 ° / 144 ° |
| A4                       | ±350 °         |
| A5                       | ±120 °         |
| A6                       | ±350 °         |
| Speed with rated payload |                |
| A1                       | 80 °/s         |
| A2                       | 75 °/s         |
| A3                       | 70 °/s         |
| A4                       | 70 °/s         |
| A5                       | 70 °/s         |
| A6                       | 110 °/s        |

## Operating conditions

|                                      |                                 |
|--------------------------------------|---------------------------------|
| Ambient temperature during operation | 10 °C to 55 °C (283 K to 328 K) |
|--------------------------------------|---------------------------------|

## Protection rating

|                                  |      |
|----------------------------------|------|
| Protection rating                | IP65 |
| Protection rating, in-line wrist | IP67 |

## KUKA Roboter GmbH

Zugspitzstrasse 140, 86165 Augsburg, Germany. Tel.: +49 821 797-4000, www.kuka-robotics.com

Details provided about the properties and usability of the products are purely for information purposes and do not constitute a guarantee of these characteristics. The extent of goods delivered and services performed is determined by the subject matter of the specific contract. No liability accepted for errors or omissions.

0000-233-252 / V13.1 / 15.02.2017 / en



## Controller

|            |       |
|------------|-------|
| Controller | KR C4 |
|------------|-------|

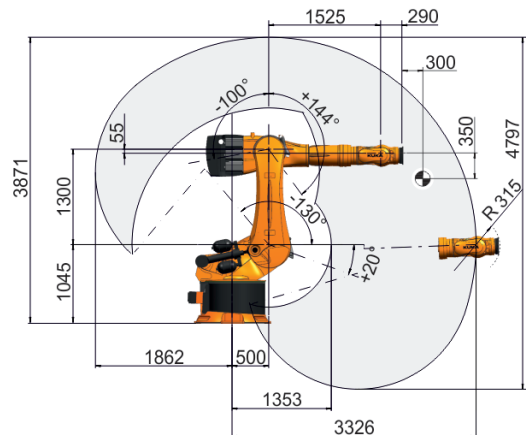


## Teach pendant

|               |               |
|---------------|---------------|
| Teach pendant | KUKA smartPAD |
|---------------|---------------|

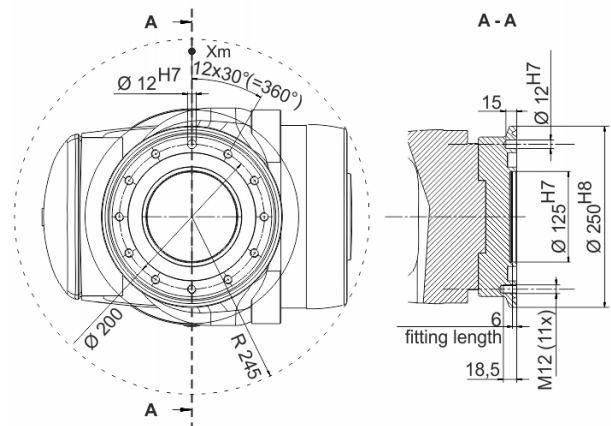
## Work envelope graphic

Dimensions: mm



## Mounting flange

Dimensions: mm



# KUKA