

KR 340 R3330 F



Technical data

| | |
|--|---------------------|
| Maximum reach | 3326 mm |
| Rated payload | 340 kg |
| Rated supplementary load, rotating column / link arm / arm | 0 kg / 0 kg / 50 kg |
| Rated total load | 390 kg |
| Pose repeatability (ISO 9283) | ± 0.08 mm |
| Number of axes | 6 |
| Mounting position | Floor |
| Footprint | 1050 mm x 1050 mm |
| Weight | approx. 2421 kg |

Axis data

| | |
|--------------------------|----------------|
| Motion range | |
| A1 | ±185 ° |
| A2 | -130 ° / 20 ° |
| A3 | -100 ° / 144 ° |
| A4 | ±350 ° |
| A5 | ±120 ° |
| A6 | ±350 ° |
| Speed with rated payload | |
| A1 | 90 °/s |
| A2 | 80 °/s |
| A3 | 75 °/s |
| A4 | 90 °/s |
| A5 | 83 °/s |
| A6 | 130 °/s |

Operating conditions

| | |
|--------------------------------------|---------------------------------|
| Ambient temperature during operation | 10 °C to 55 °C (283 K to 328 K) |
|--------------------------------------|---------------------------------|

Protection rating

| | |
|----------------------------------|------|
| Protection rating | IP65 |
| Protection rating, in-line wrist | IP67 |



Controller

| | |
|------------|-------|
| Controller | KR C4 |
|------------|-------|

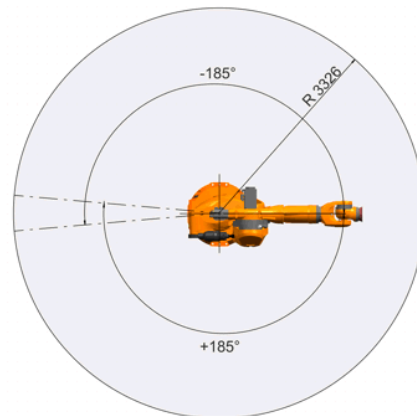
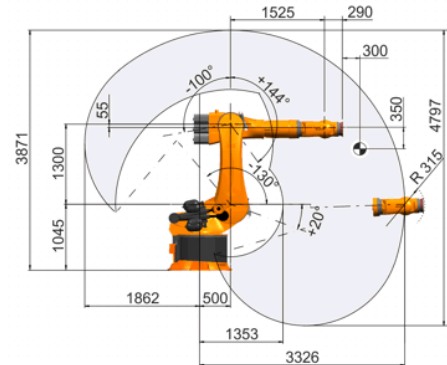


Teach pendant

| | |
|---------------|---------------|
| Teach pendant | KUKA smartPAD |
|---------------|---------------|

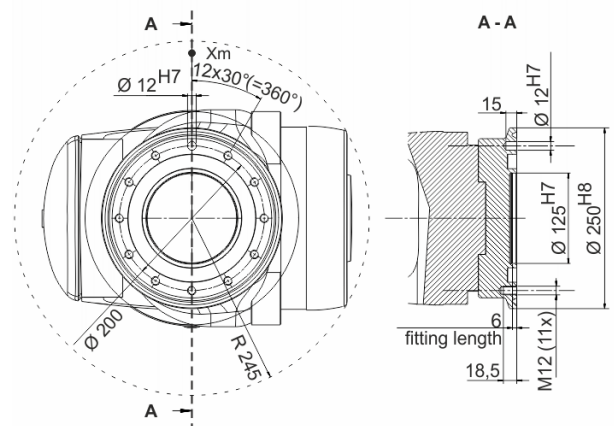
Work envelope graphic

dimensions: mm



Mounting flange

Dimensions: mm



KUKA Roboter GmbH

Zugspitzstrasse 140, 86165 Augsburg, Germany. Tel.: +49 821 797-4000, www.kuka-robotics.com

Details provided about the properties and usability of the products are purely for information purposes and do not constitute a guarantee of these characteristics. The extent of goods delivered and services performed is determined by the subject matter of the specific contract. No liability accepted for errors or omissions.

0000-233-243 / V13.1 / 15.02.2017 / en

KUKA