

JENOPTIK-VOTAN™ C BIM

Sets a new generation of laser cutting systems

- with the advantages of a stationary laser
- with the integration of the laser beam guiding system in the flexible articulated robot
- with a container solution of the cabin

Due to the high linearity, the robot behaves with an extremely high precision, repeatability, dynamic and trajectory control.

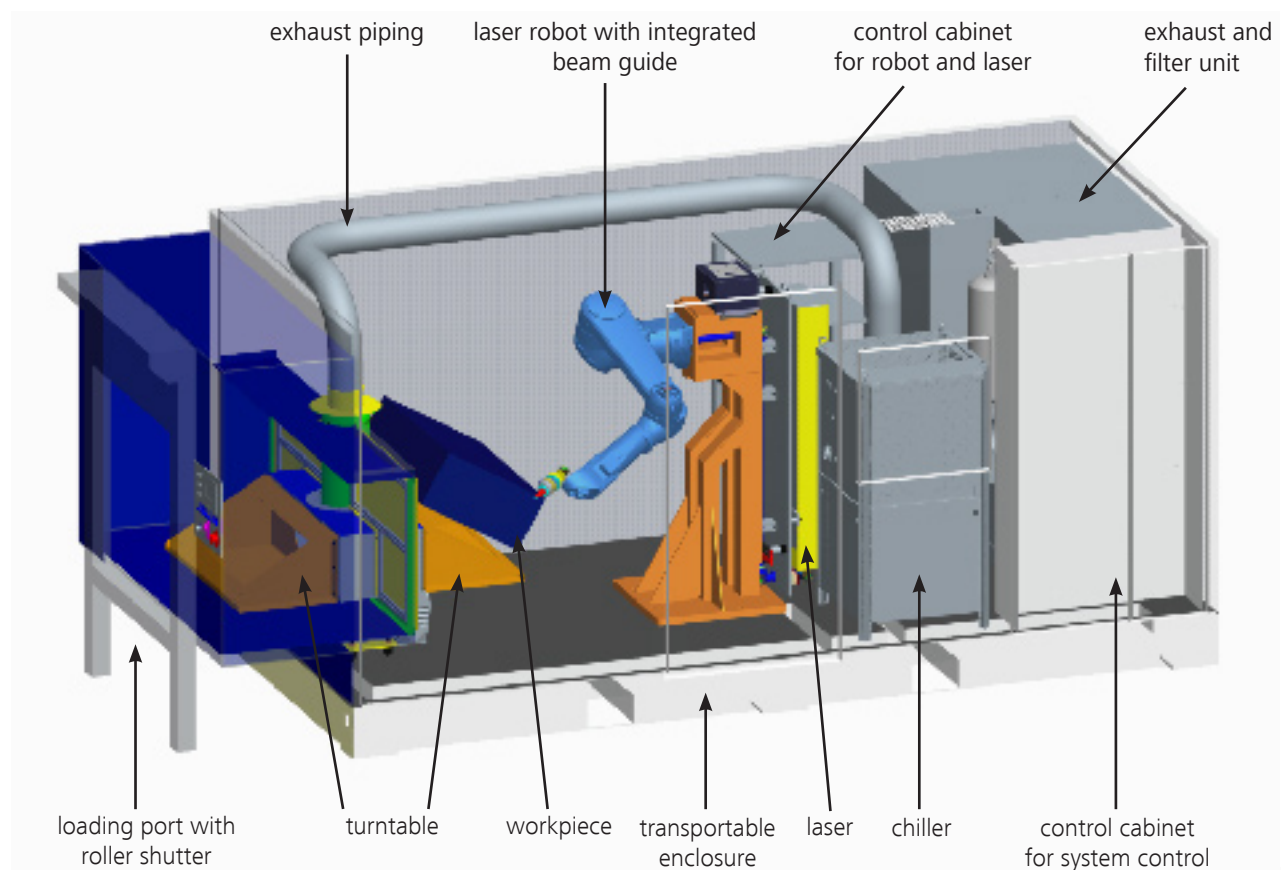


Advantages

- Extremely short cycle times can be obtained
- With just a 10 m² footprint, the cell is one of the smallest laser robot cutting systems
- The exhaust system already integrated in the turntable ensures the exhaust absorption at the place of production
- The turntable with a diameter of 2100 mm can easily handle large-sized work pieces
- Allows the easy cutting of 3-D outlines
- Due to the integrated container solution of the cabin, the machine is extremely mobile
- For the commissioning of the machine it is only necessary to connect the required media
- The design allows an easy upgrade of the laser power during the lifetime of the machine

Technical information

Maximum work piece (in mm)	2D 1400 x 700 x 500 3D 1000 x 600 x 300
Cutting speed	500 mm/s
Positioning speed	4000 mm/s
Repeat accuracy	+/- 100 µm
Laser power (in W)	100 - 2500
Turntable diameter	2100 mm
Turntable cycle time	> 2 seconds
Footprint (in mm)	4660 x 2200 x 2260
System control	Siemens S7



Information



Address:
JENOPTIK Automatisierungstechnik GmbH
Konrad-Zuse-Strasse 6
07745 Jena, Germany

Contact:
Marketing
Phone: +49 3641 65-2570
Fax: +49 3641 65-2571
E-Mail: automation.marketing@jenoptik.com